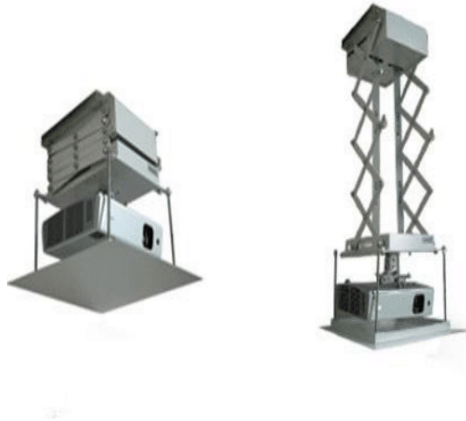




## Universal Motorized Projector Lift (APL-200T)



### Features

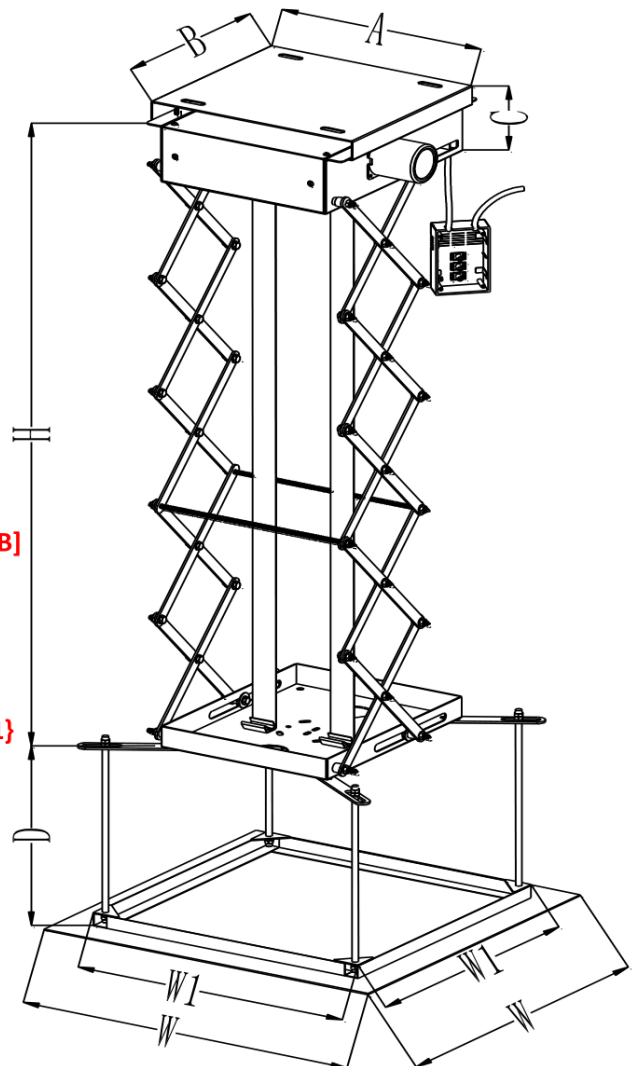
- ◇ Height Adjustable
- ◇ Standard Tubular Motor
- ◇ RF Remote
- ◇ Heavy Duty
- ◇ Easy Installation
- ◇ Elegant Appearance & Low Noise
- ◇ White

### Specification:

- Maximum Running Distance Height : 2.00Mtr
- Power : 230V (+-10%), 50/60Hz, 115W
- Plug : 3 Pin UK Style
- Control Method : Remote & Manual Switch
- Load Capacity: 25kg/55lbs

### Technical Parameters:

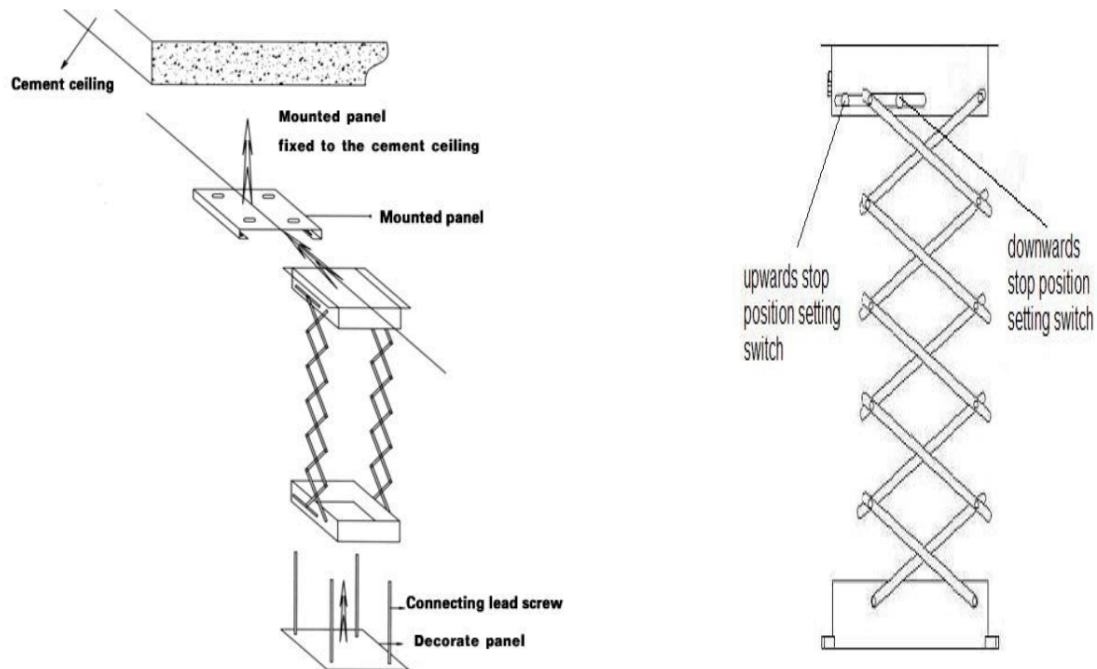
- ❖ Ceiling Mount Panel Size: 305\*280mm (W\*L) [A\*B]
- ❖ Electric Hanger: 120mm [C]
- ❖ Lift Size : 2.00Mtr [H]
- ❖ Connecting Lead Screw Length: 290mm [D]
- ❖ Decorate Panel Outer Size: 490\*490mm [W\*W]
- ❖ Decorate Panel inner Size: 400\*400mm [[W1\*W1]
- ❖ Close Size: 490\*490\*610mm (L\*W\*H)





## Universal Motorized Projector Lift (APL-200T)

### INSTALLATION DEMONSTRATION



### Packing:

Gross Weight: 22Kg/Net Weight: 21kg

Dimension: 53\*53\*38cm

**Country of Origin: People's Republic of China**

Note: We provide one year warranty for any manufacturing defects of our Electric Projector Lift.