

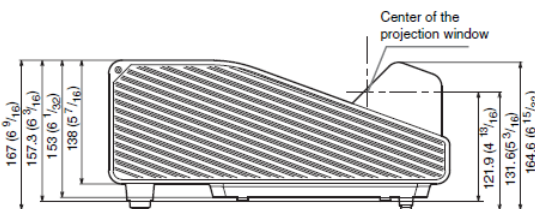
## Ultra Short Throw Projector VPL-SW630

### Key Features

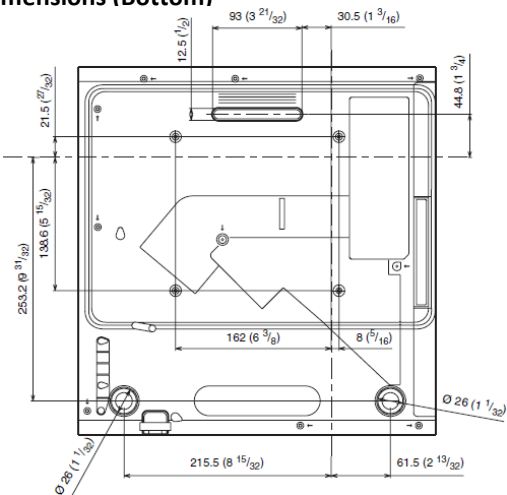
- 3,100 lumens
- Native WXGA (1,280x800) resolution
- High contrast ratio
- Bright Era® Panel
- Ultra Short throw distance (TR= 0.27:1)
- Optical lens shift and zoom for easy adjustment
- Long-lasting lamp  
Recommended lamp replacement time 8000h (low mode)
- Synchronized lamp and filter maintenance cycle
- Energy efficient design
  - Auto power saving mode
  - Blank with lamp dimming
  - 4 lamp mode (High, Std, Low, Auto\*)
  - \*Auto lamp control by picture brightness
  - ECO MODE key
- Convenient terminals including HDMI, RS-232C and RJ-45
- 16W Speaker
- USB display
- USB media viewer
- PC Wireless capability (option)
- Tablet Device & Smart Phone connection (wireless)

### Dimensions (Front)

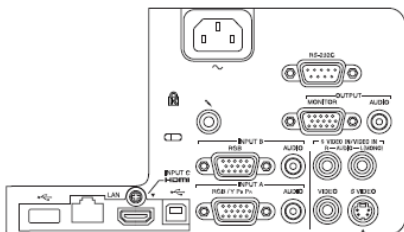
Unit: mm (inches)



### Dimensions (Bottom)



### Connector Panels



Optical		
Light Output / Color Light Output	3100 lumens (Lamp mode: High) 2300 lumens (Lamp mode: Standard) 1900 lumens (Lamp mode: Low)	
LCD Panels	0.59"x3 BrightEra LCD Panel	
Panel Display Resolution	WXGA (1280x800 dots)	
Contrast Ratio	3,000:1 (Full white/full black)* <sup>1</sup>	
Light Source	Ultra high-pressure mercury lamp 225 W type	
Recommended Lamp Replacement Time* <sup>2</sup>	3000H (Lamp mode: High) 5000H (Lamp mode: Standard) 8000H (Lamp mode: Low)	
Filter Cleaning Cycle* <sup>2</sup>	Max. 8000H Same time as the lamp replacement is recommended	
Projection Lens	Zoom / Focus	Approx. 1.03x Manual Zoom / Manual Focus
	Lens Shift	Manual, Vertical +/- 3.7% Horizontal +/- 2.3%
	Throw Ratio	0.27:1
Screen Size	65" to 110"	
Interface		
Computer and Video Input/Output	INPUT A	Mini D-sub 15-pin (RGB/Y Pb Pr) Audio: Stereo mini jack
	INPUT B	Mini D-sub 15-pin (RGB) Audio: Stereo mini jack
	INPUT C	HDMI (Digital RGB/Y Pb Pr, Digital Audio) (HDCP support)
	VIDEO IN	Pin Jack Audio : Pin jack (x2) (shared with S VIDEO IN)
	S VIDEO IN	Mini DIN 4-pin Audio : Pin jack (x2) (shared with VIDEO IN)
	Monitor OUT	Mini D-sub 15-pin (from INPUT A and INPUT B)
	Audio OUT	Stereo mini jack (variable out)* <sup>3</sup>
Other Signal Input/Output	RS-232C	D-sub 9-pin (male)
	LAN	RJ-45, 10BASE-T/100BASE-TX
	USB	Type-A, Type-B
	Microphone input	Mini jack
General		
Speaker	16Wx1 (monaural)	
Scanning Frequency	H: 15 to 92 kHz, V: 48 to 92 Hz	
Display Resolution	Computer Signal Input	Maximum display resolution : UXGA 1600x1200 dots
	Video Signal Input	Video(Composite), 15k(480/60i, 576/50i), DTV (480/60p, 576/50p, 720/60p, 720/50p, 1080/60i, 1080/50i, 1080/60p, 1080/50p)
Color System	NTSC3.58, PAL, SECAM, NTSC4.43, PAL-M, PAL-N	
UPC Code	0 27242 87140 3	
Power Requirements	AC 100 V to 240 V, 3.3 A to 1.5 A, 50 Hz/60 Hz	
Power Consumption	323 W (AC 100 V-120 V) 311 W (AC 220 V-240 V)	
Standby Mode Power Consumption	5.1 W (Std)/ 0.5 W (Low) (AC 100V-120 V) 5.4 W (Std)/ 0.5 W (Low) (AC 220V-240 V)	
Dimensions (WxHxD) (without protrusion)	372x 138 x 382 mm 14 21/32 x 5 7/16 x 15 1/32 "	
Mass (without wall mount)	6.0 kg /13 lb	
Optional Accessories		
Replacement Lamp	LMP-E220	
Wall Mount	PSS-640	
Wireless LAN Module	IFU-WLM3	
Service Parts		
Replacement Filter	4-530-530-01 (FILTER A [Outside] ) 4-530-531-01 (FILTER B [Inside] ) (Filters are cleanable)	
Replacement Remote	1-490-463-11 (RM-PJ8)	

\*1: The value is average.

\*2: The figures are expected maintenance time and not guaranteed.  
They will depend on the environment or how the projector is used.

\*3: Works as an audio switcher function. Output from a selected channel, not available in standby.

For more information, visit : [www.sony.com/projectors](http://www.sony.com/projectors)