



# VPL-BW120S

Home Theater Projector

High Brightness (2600 lm) solution for casual big screen entertainment

## FEATURES

### Short Throw Technology

- Can be placed close to wall / screen, no need to mount the projector

### Picture Quality

- High brightness (2600 lm) to enjoy in a variety of different environments
- Ideal for sports, gaming and movies
- Rich color reproduction with higher contrast ratio and 12-Bit Gamma Correction for smoother color gradations

### Easy To Use

- Lightweight and portable
- Built in speakers for a simple one cable (HDMI™) connection

### Energy Efficient

- Power Saving Mode turns the projector off after 10 minutes of inactivity
- Long-lasting lamp



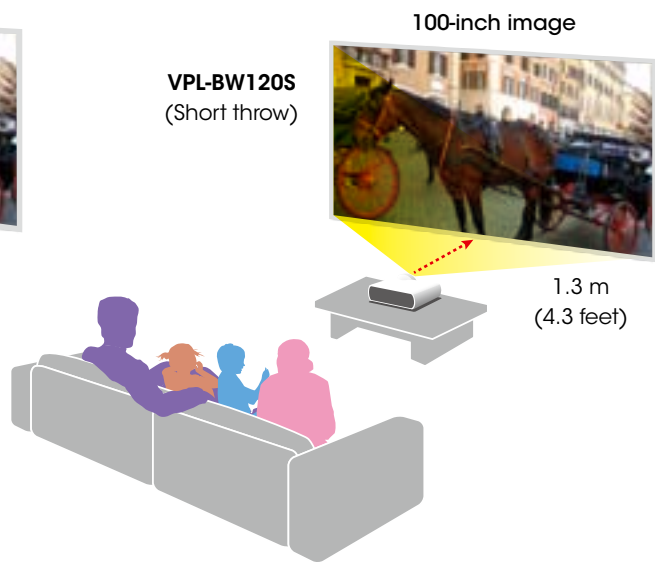
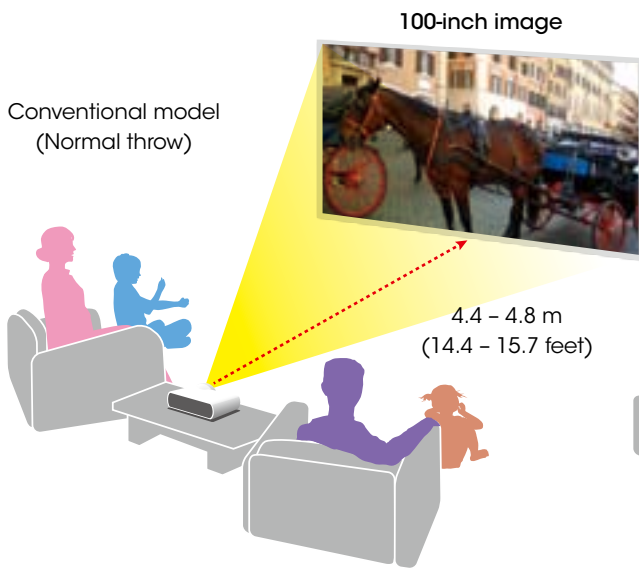
BrightEra™

HDMI

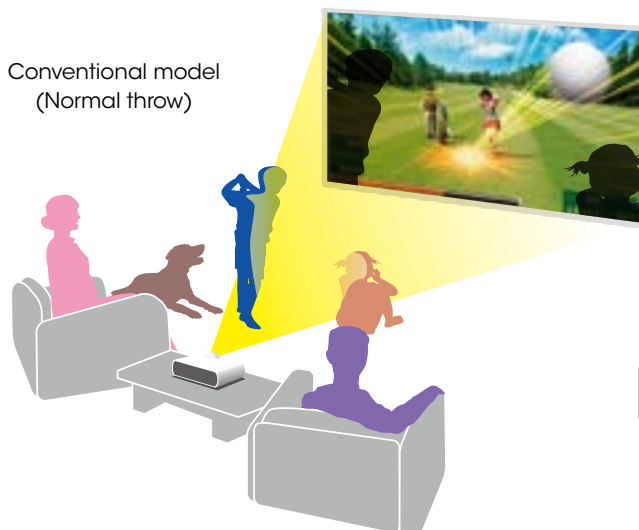


## Short Throw Technology

- For simple installation and best viewing position



- For practical, unobtrusive use



# Picture Quality

- High brightness (2600 lm) enjoy in different environments
- Ideal for sports, gaming and movies

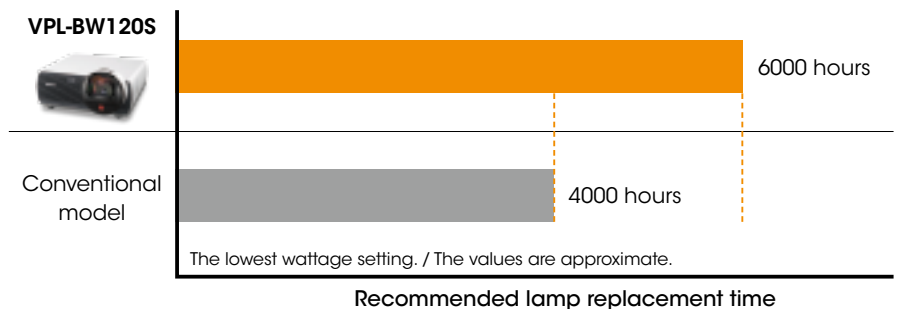


# Easy to Use

- Lightweight and portable
- Specially designed built in speakers for a simple one cable (HDMI) connection

# Energy Efficient

- Long-lasting lamp



# CONNECTOR PANEL



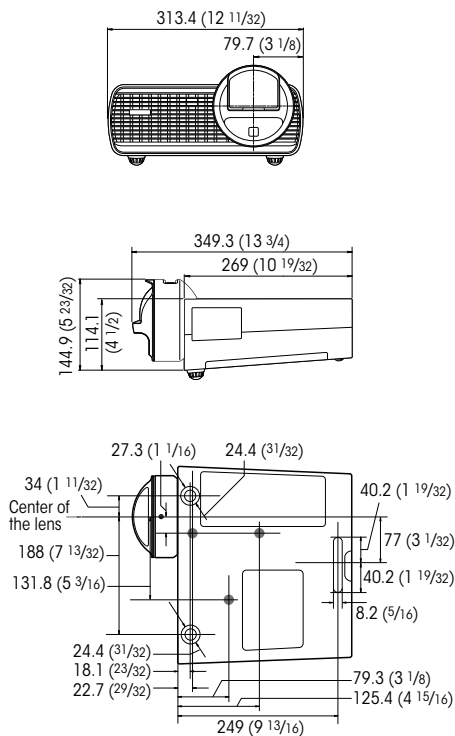
## OPTIONAL ACCESSORY



**LMP-E211**  
Projector Lamp (for replacement)

## DIMENSIONS

Unit: mm (inches)



## SPECIFICATIONS

		VPL-BW120S
<b>Optical</b>		
Display system		3 LCD system
Display device	Size of effective display area	0.59" (15.0 mm) x 3, BrightEra, Aspect ratio: 16:10
	Number of pixels	3,072,000 (1280 x 800 x 3) pixels
Projection lens	Focus	Manual
	Throw ratio	0.62:1
<b>Light source</b>		
Light source		Ultra High Pressure lamp 210 W type
Recommended lamp replacement time*1		3000 H / 6000 H (Lamp mode: High / Low)
Filter cleaning cycle (replacement)		Max. 6000 H*1 / Same time as the lamp replacement is recommended
Screen size		50" to 100"
Light output (Lamp mode: High / Low)		2600 lm / 1500 lm
Color light output (Lamp mode: High / Low)		2600 lm / 1500 lm
Contrast ratio (full white / full black)**2		4000:1
<b>Interface</b>		
Computer and video signal input/output	INPUT A	RGB / Y Pb Pr input connector: Mini D-sub15-pin (female) Audio input connector: Stereo mini jack
	INPUT B	HDMI (HDCP-compatible)
	VIDEO IN	Video input connector: Pin jack Audio input connector: Pin jack (x2) (shared with S VIDEO IN)
	S VIDEO IN	S video input connector: Mini DIN 4-pin Audio input connector: Pin jack (x2) (shared with VIDEO IN)
	Control signal input/output	RS-232C connector: D-sub 9-pin (female)
<b>General</b>		
Speaker		2 W x 1 (monaural)
Displayable scanning frequency	Horizontal	19 kHz to 92 kHz
	Vertical	48 Hz to 92 Hz
Display resolution	Computer signal input	Maximum input signal resolution: 1400 x 1050 (resizing display)
	Video signal input	Video (Composite), 15k (480/60i, 575/50i), DTV (480p/60p, 575/50p, 720/60p, 720/50p, 1080/60i, 1080/50i)
Color system		NTSC3.58, PAL, SECAM, NTSC4.43, PAL-M, PAL-N, PAL60
Keystone correction		Vertical: Max. +/- 15 degrees*3
OSD language		20-languages (English, Dutch, French, Italian, German, Spanish, Portuguese, Turkish, Polish, Russian, Swedish, Norwegian, Japanese, Simplified Chinese, Traditional Chinese, Korean, Thai, Vietnamese, Arabic, Farsi)
Operating temperature (Operating humidity)		0°C to 40°C / 32°F to 104°F (20% to 80%; no condensation)
Storage temperature (Storage humidity)		-10°C to 60°C / 14°F to 140°F (20% to 80%; no condensation)
<b>Power requirements</b>		
Power consumption	AC 100 V to 120 V	290 W / 205 W
	AC 220 V to 240 V	275 W / 190 W
Standby mode power consumption	AC 100 V to 120 V	3 W / <0.5 W (Standby mode: Standard / Low)
	AC 220 V to 240 V	3 W / <0.5 W (Standby mode: Standard / Low)
Heat dissipation	AC 100 V to 120 V	990 BTU
	AC 220 V to 240 V	940 BTU
Outside dimensions		W 313.4 x H 144.9 x D 349.3 mm (W 12 11/32 x H 5 7/10 x D 13 3/4 in) (without protrusion)
Mass		3.7 kg (8 lb 3 oz)
Supplied accessories		RM-PJ7 Remote Commander (1), Lithium battery: CR2025 (1), Signal cable (1), Operating Instructions (1), AC Power Cord (1)

\*1 Expected maintenance times not guaranteed. Lamp and filter performance vary based on operating environment and use.

\*2 The value is average.

\*3 Depends on resolution.

Distributed by

©2012 Sony Corporation. All rights reserved.  
Reproduction in whole or in part without written permission is prohibited.  
Features and specifications are subject to change without notice.

The values for mass and dimension are approximate.  
"SONY" and "make.believe", "BrightEra" and "Remote Commander" are trademarks of Sony Corporation.

The terms HDMI and HDMI High-Definition Multimedia Interface, and the HDMI Logo are trademarks or registered trademarks of HDMI Licensing LLC in the United States and other countries.  
All other trademarks are the property of their respective owners.